



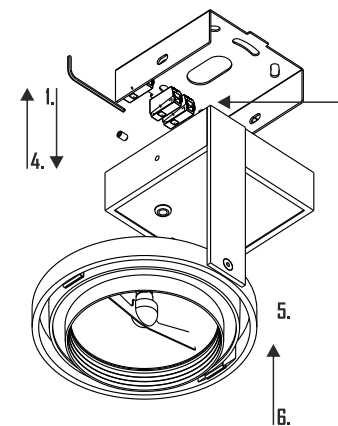
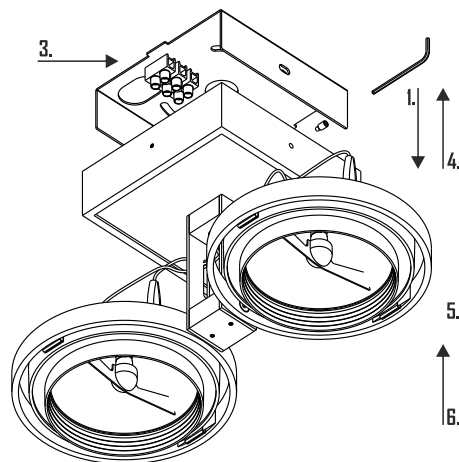
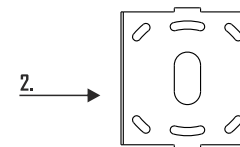
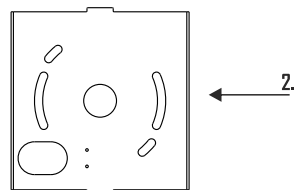
SITTO EXT

SITTO EXT 1X1  
SITTO EXT 2X1

5141.XX  
5041.XX

### SITTO EXT

1. UNSCREW AND REMOVE THE BASE PLATE.
2. DRILL HOLES AND FIX THE BASE TO THE CEILING.
3. MAKE THE ELECTRICAL CONNECTION TO THE QUICK CONNECTOR.
4. FIX THE BODY TO THE CEILING PLATE.
5. PULL OUT THE RING/RINGS AND INSTALL THE BULB/BULBS.
6. PULL BACK THE RING/RINGS.



DEKKO

12-16 DRAGAN TSANKOV BLVD  
1164 SOFIA,  
BULGARIA

T +359 (0)2 8168116  
F +359 (0)2 8168118

office@dekkonet  
[www.dekkonet](http://www.dekkonet)

