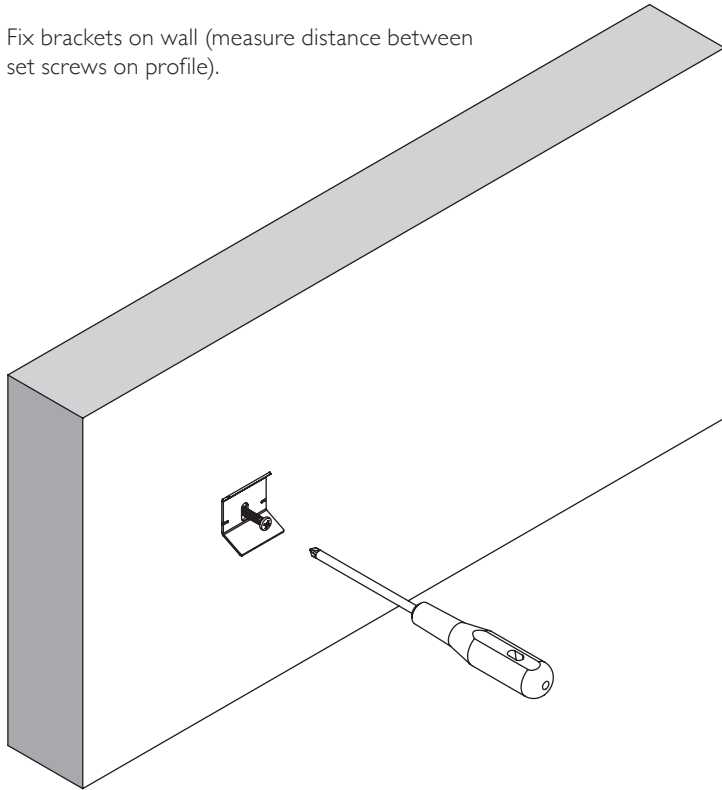
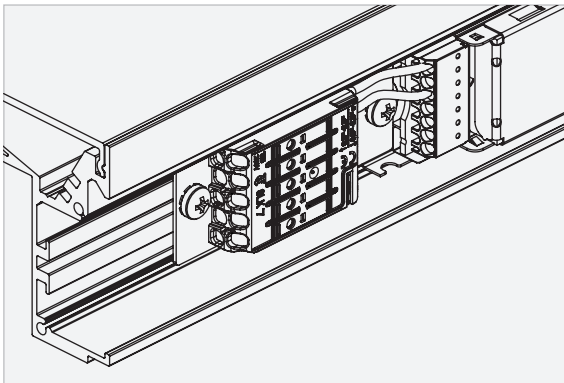


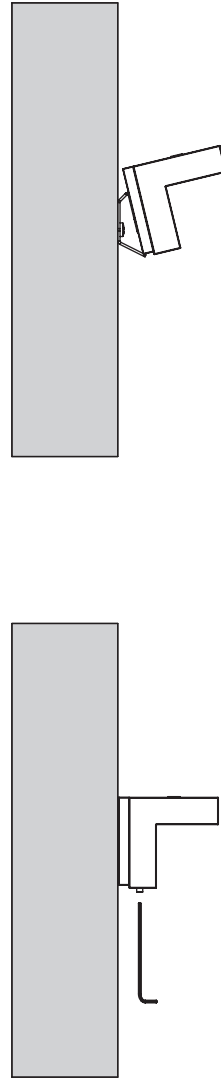
- 1 Fix brackets on wall (measure distance between set screws on profile).



- 2 Make electrical connection.



- 3 Fix profile to brackets.



STRAIGHT CONNECTION

