



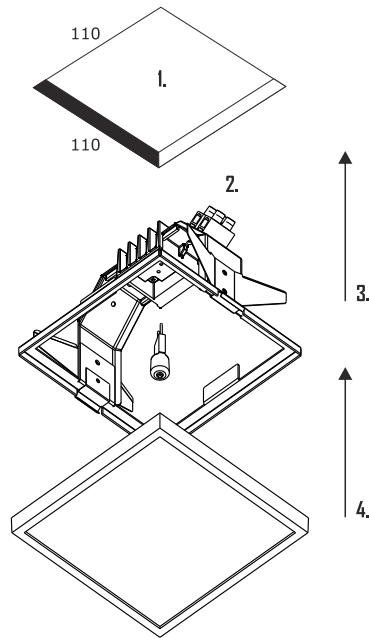
ZOOM SQ

ZOOM SQ

2011.XX

ZOOM SQ

1. CUT-OUT THE REQUIRED MOUNTING APERTURE IN THE SUSPENDED CEILING.
2. MAKE THE ELECTRICAL CONNECTION TO A 12V LOW VOLTAGE TRANSFORMER.
3. FIX THE BODY TO THE CEILING.
4. INSTALL THE BULB.
5. PUSH THE FRAMED GLASS UNTIL IT CLICKS INTO PLACE.



GY-6.35
QT-12-AX



IP20



12V



DEKKO

12-16 DRAGAN TSANKOV BLVD
1164 SOFIA,
BULGARIA

T +359 (0)2 8168116
F +359 (0)2 8168118

office@dekkonet
www.dekkonet