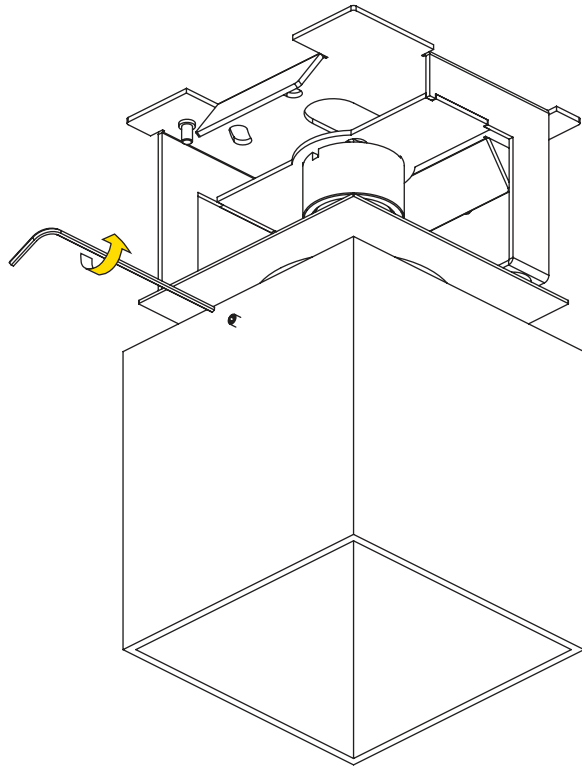
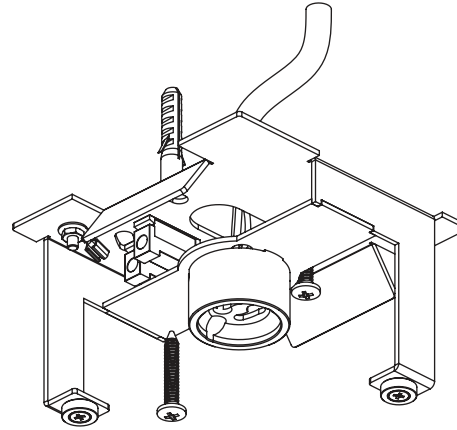


1 Remove base.



2 Fix to ceiling and make electrical connection.



3 Reassemble.

