



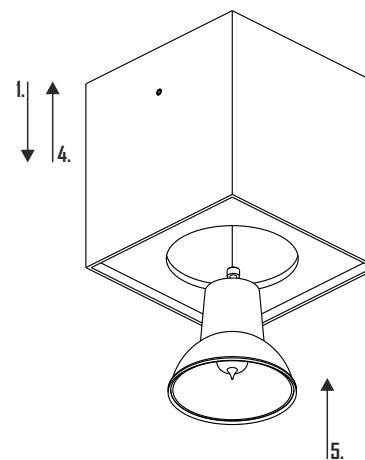
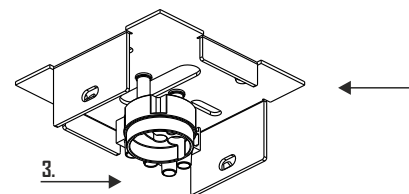
CUBE

CUBE QPAR51

3012.XX

## CUBE

1. UNSCREW AND REMOVE THE BASE PLATE.
2. DRILL 2 HOLES AND FIX THE BASE TO THE CEILING.
3. MAKE THE ELECTRICAL CONNECTION TO THE QUICK CONNECTOR.
4. FIX THE BODY TO CEILING PLATE.
5. INSTALL THE BULB.



DEKKO

12-16 DRAGAN TSANKOV BLVD  
1164 SOFIA,  
BULGARIA

T +359 (0)2 8168116  
F +359 (0)2 8168118

office@dekko.net  
[www.dekko.net](http://www.dekko.net)

