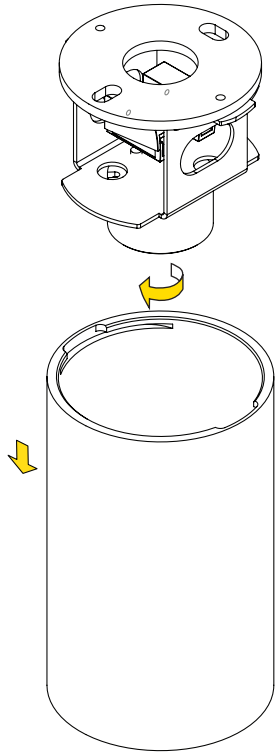
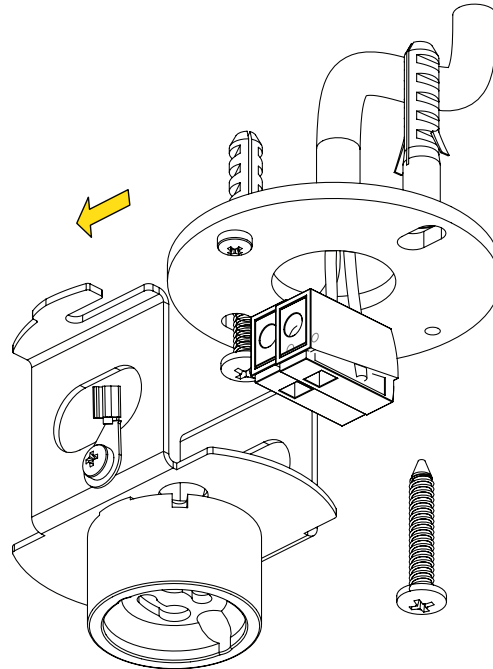


1 Turn and pull down cylinder.



2 Slide plate. Fix and make electrical connection.



N \perp L 230V / 50-60Hz

3 Reassemble.

