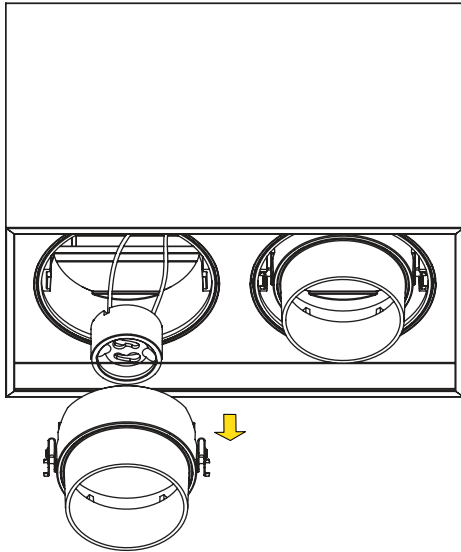
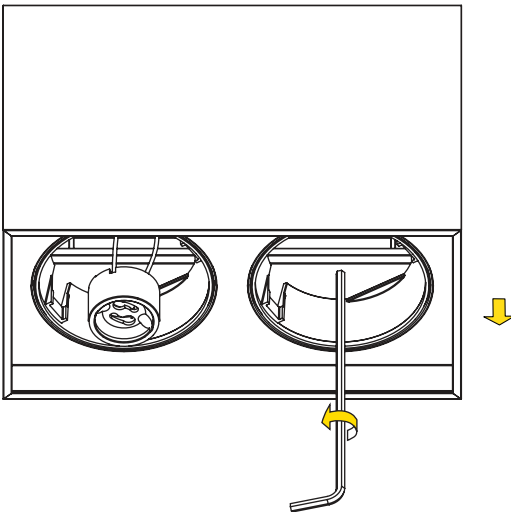


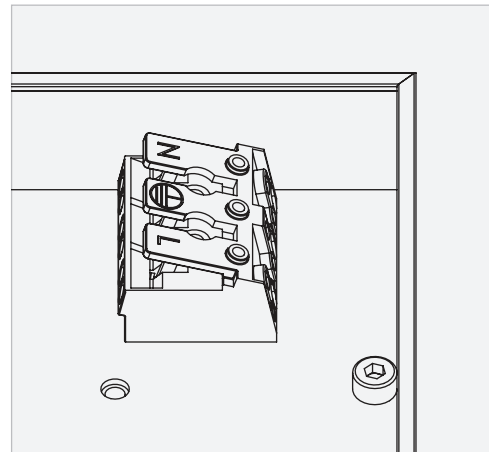
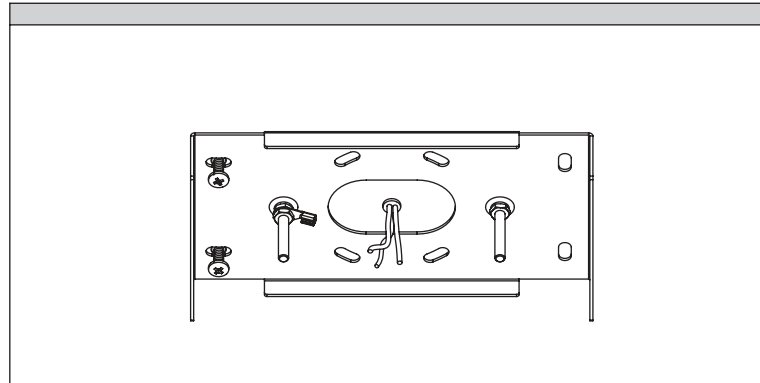
1 Pull front part.



2 Remove base.

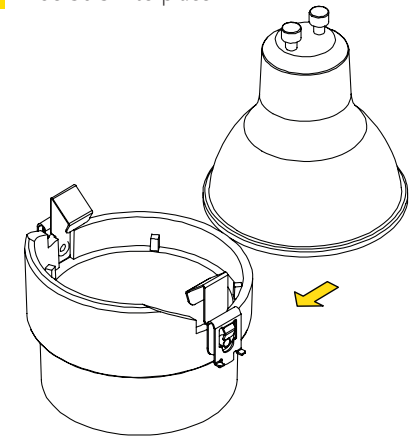


3 Fix to ceiling and make electrical connection.



N=L 230V / 50-60Hz

4 Slide bulb into place.



5 Reassemble.

