



CAST surface LED

CAST surface LED 3117HW/W/WW
CAST surface LED dimmable 3118HW/W/WW

DEKKO

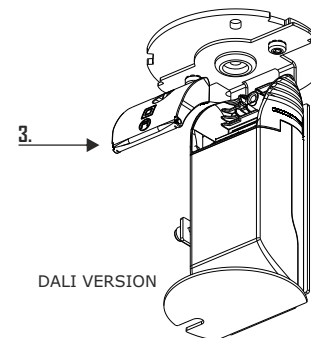
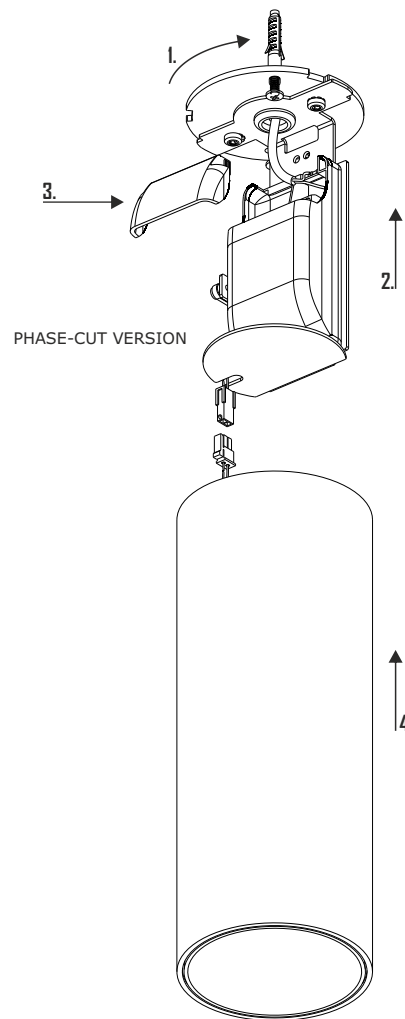
12-16 DRAGAN TSANKOV BLVD
1164 SOFIA,
BULGARIA


T +359 (0)2 8168116
F +359 (0)2 8168118

office@dekko.net
www.dekko.net

CAST SURFACE LED

1. REMOVE THE BASE PLATE.
2. DRILL 2 HOLES AND FIX THE BASE TO THE CEILING.
3. MAKE THE ELECTRICAL CONNECTION TO THE TERMINAL BLOCK.
4. SCREW THE BODY TO THE BASE PLATE.



IP20 

230V 