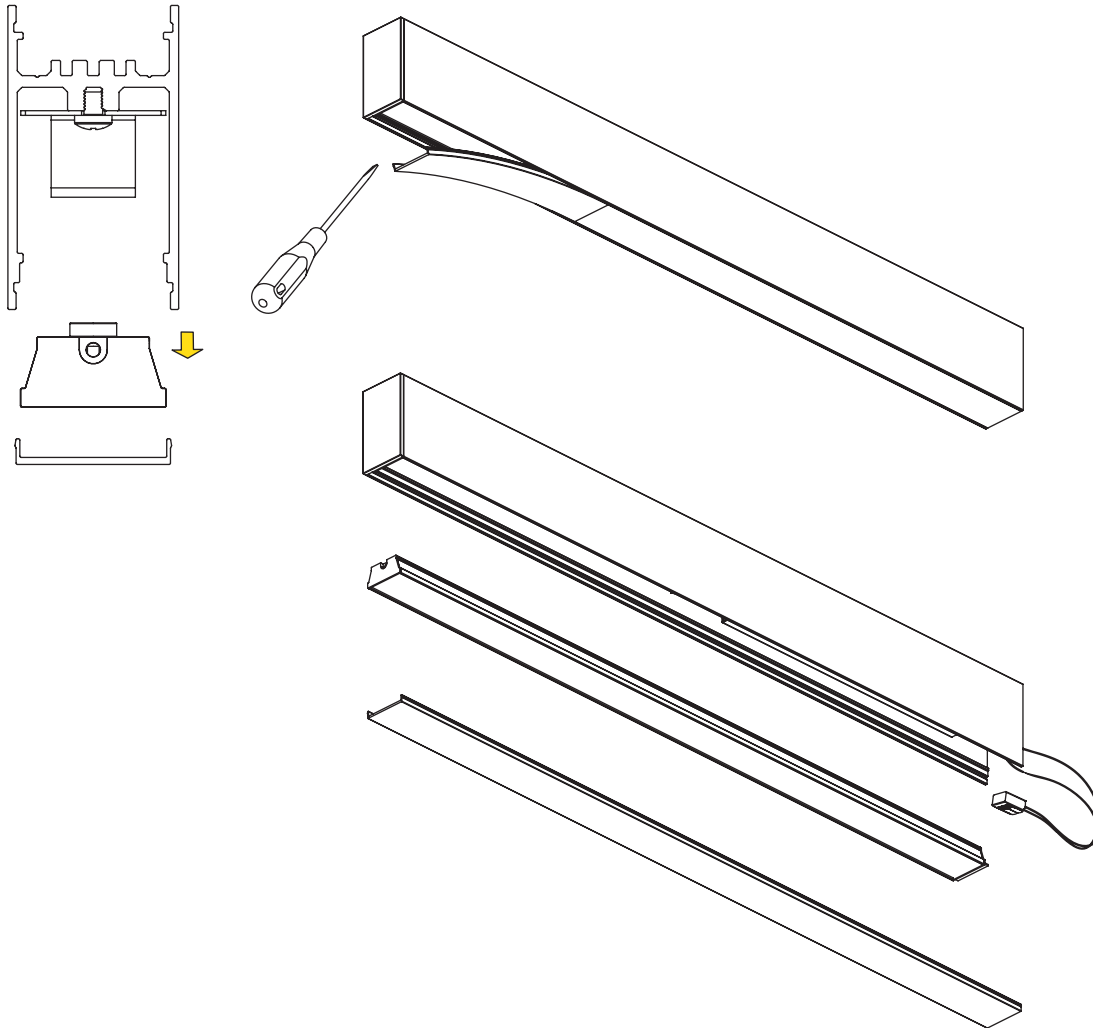
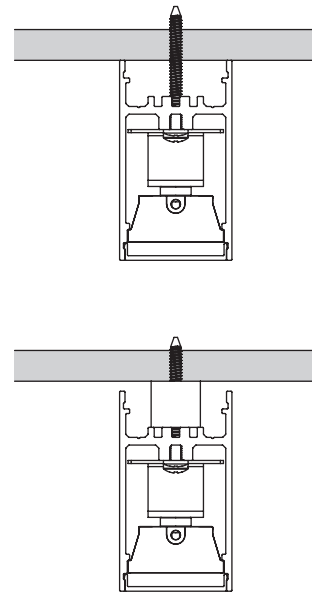


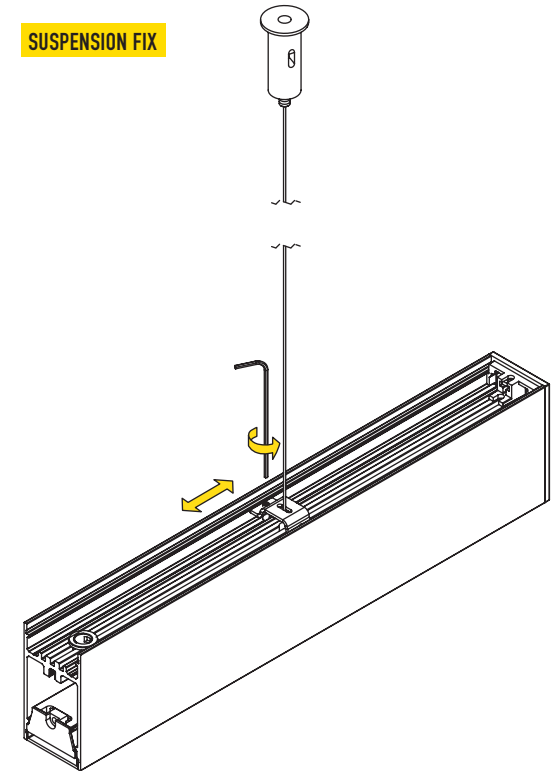
1 Remove diffuser and light module.



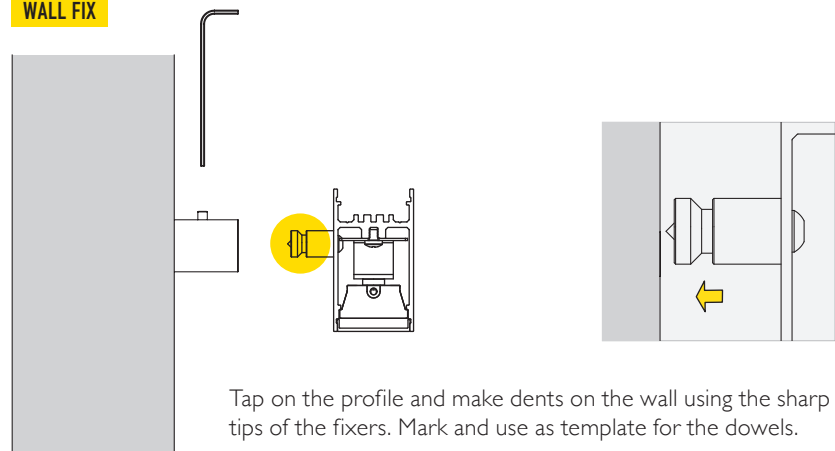
CEILING FIX



SUSPENSION FIX

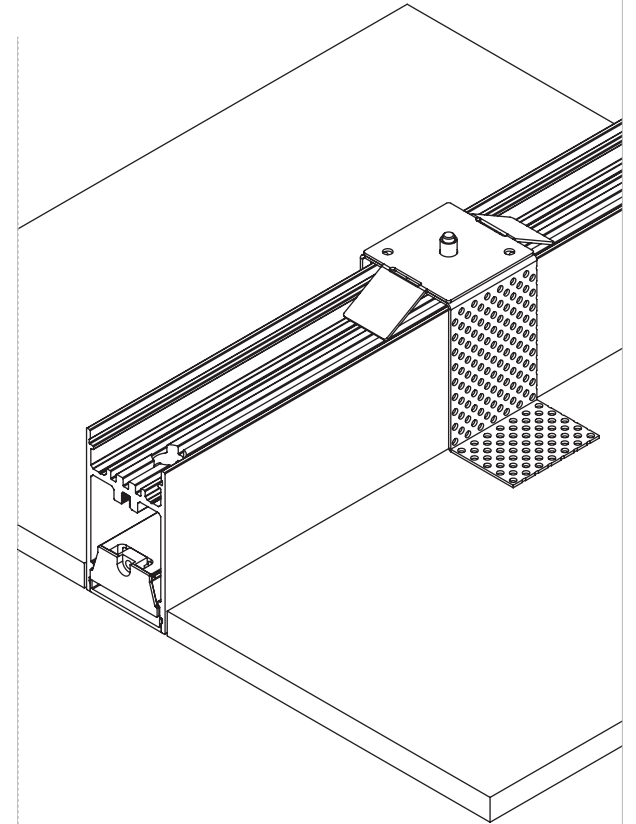
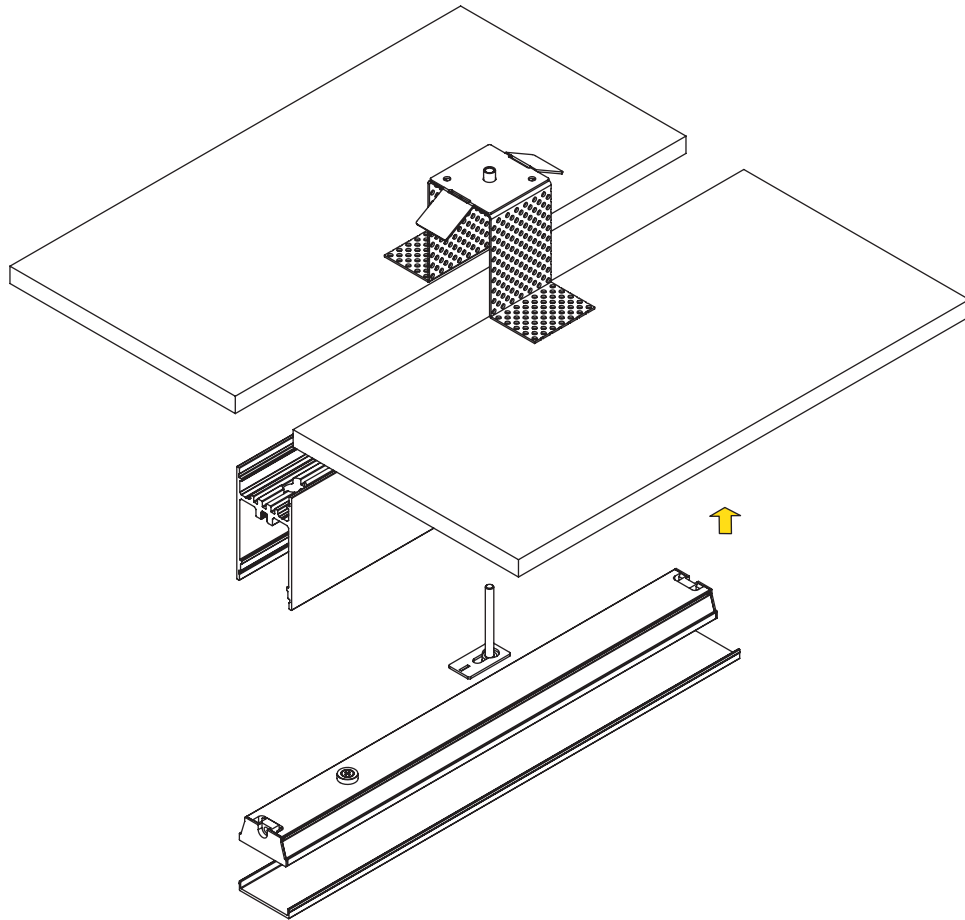
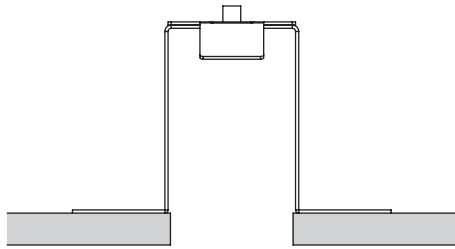


WALL FIX

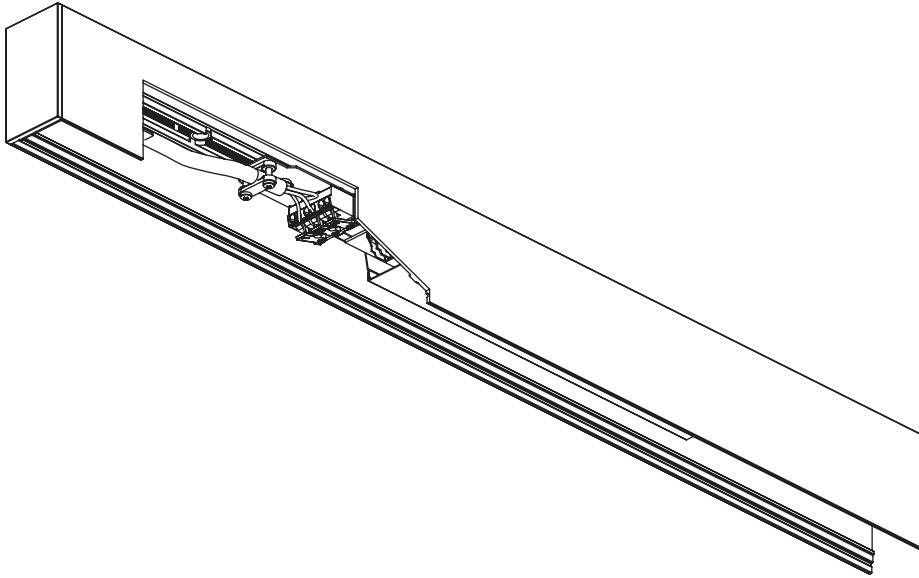


Tap on the profile and make dents on the wall using the sharp tips of the fixers. Mark and use as template for the dowels.

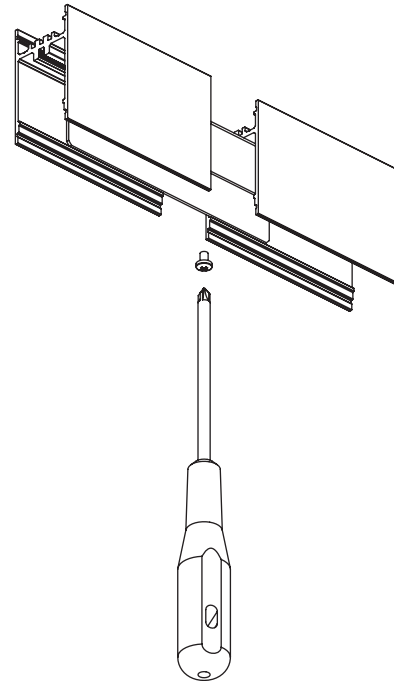
RECESSED FIX



electrical connection



straight connection



90° connection

