



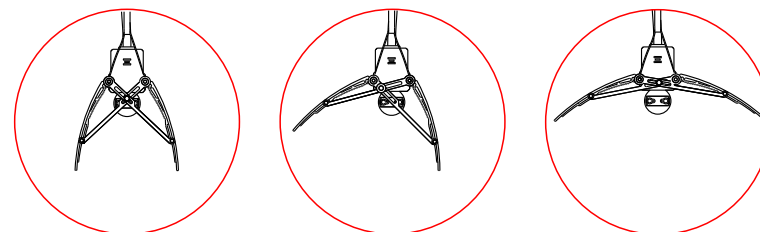
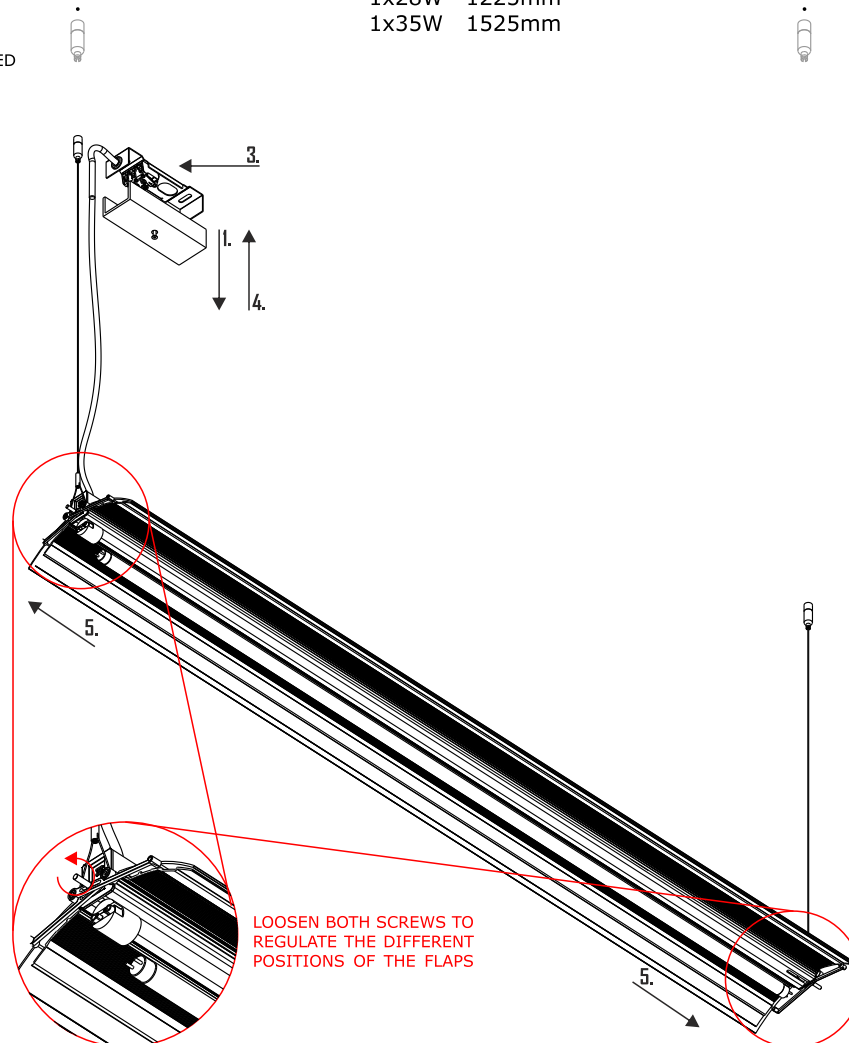
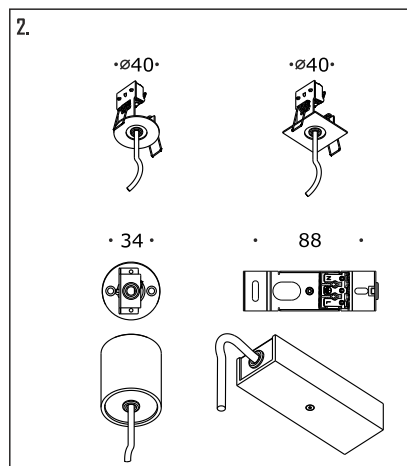
SHU

4050.XX  
4150.XX  
4051.XX  
4151.XX

SHU

1. UNSCREW AND REMOVE THE BASE PLATE.
2. DRILL 2 HOLES AND FIX THE BASE OF THE POWER FEED ( ORDERED SEPARATELY ) TO THE CEILING.
3. MAKE THE ELECTRICAL CONNECTION VIA THE POWER FEED ( ORDERED SEPARATELY )
4. FIX THE BASE TO THE CEILING PLATE.
5. PULL THE SOCKET FITTINGS LEFT AND RIGHT TO INSTALL THE TUBE.

1x28W 1225mm  
1x35W 1525mm



DEKKO  
12-16 DRAGAN TSANKOV BLVD  
1164 SOFIA,  
BULGARIA

T +359 (0)2 8168116  
F +359 (0)2 8168118

office@dekkonet  
www.dekkonet

