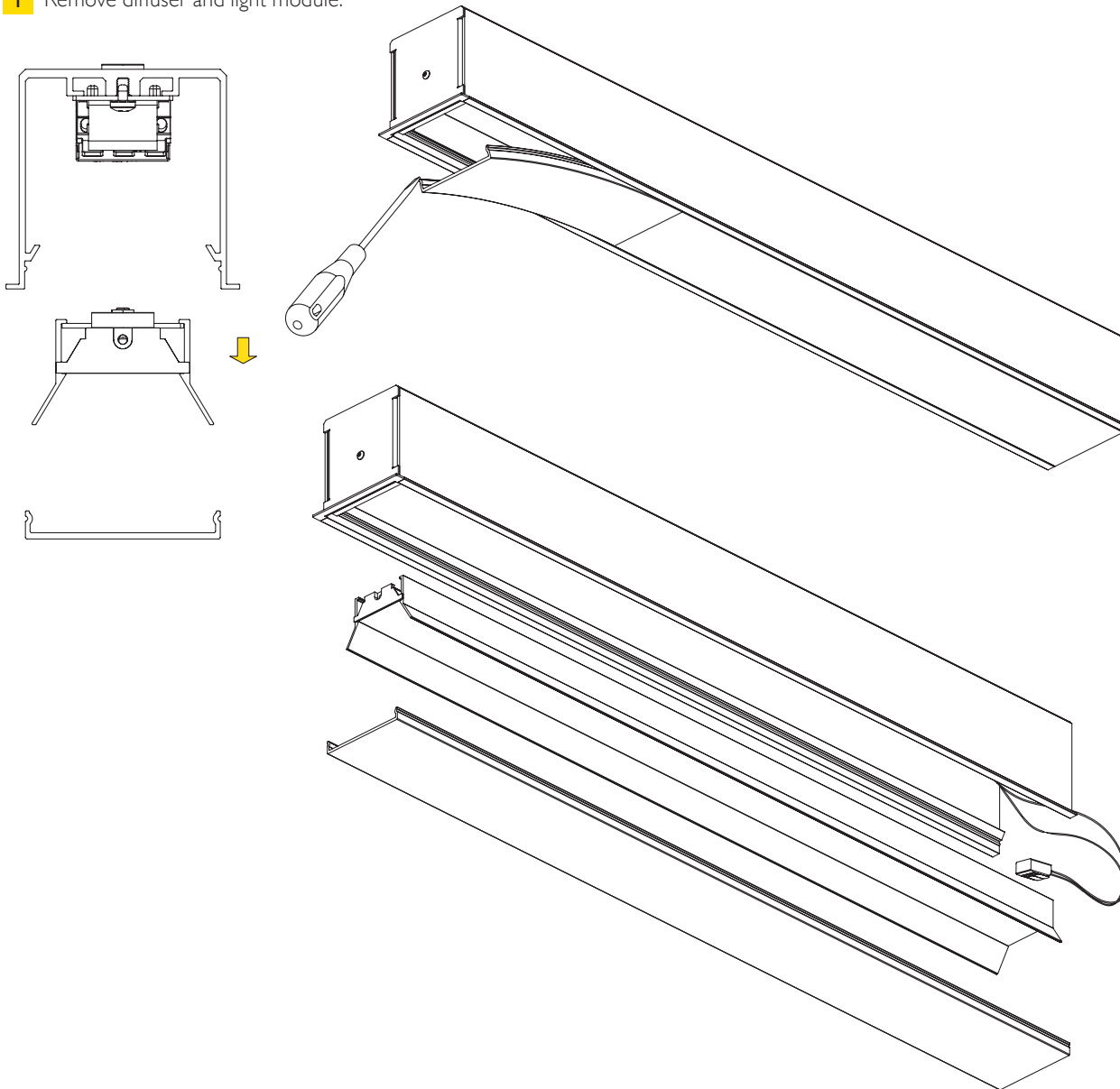
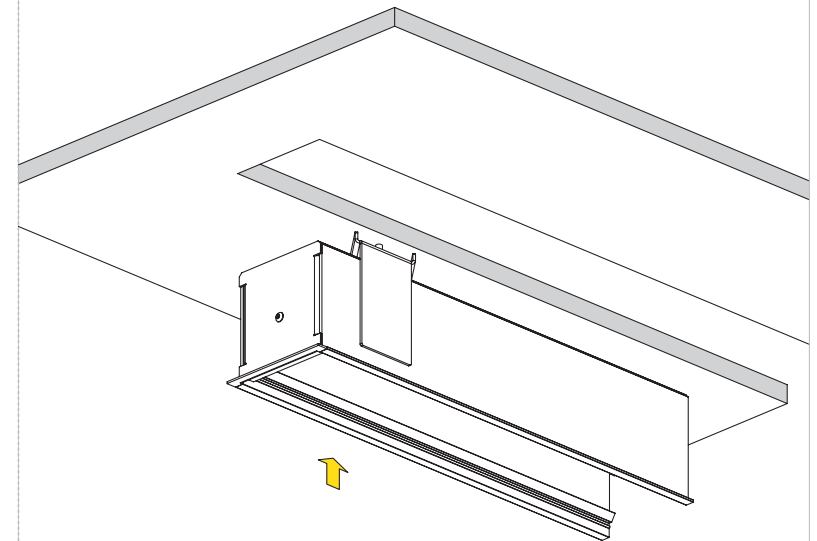
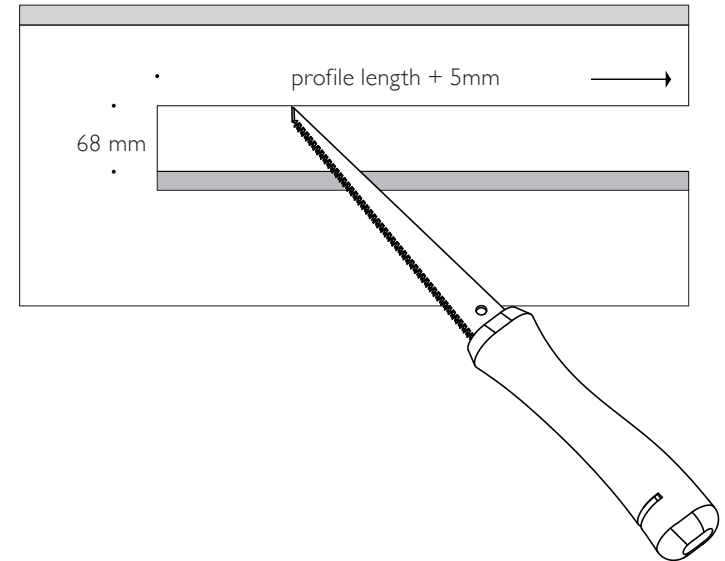


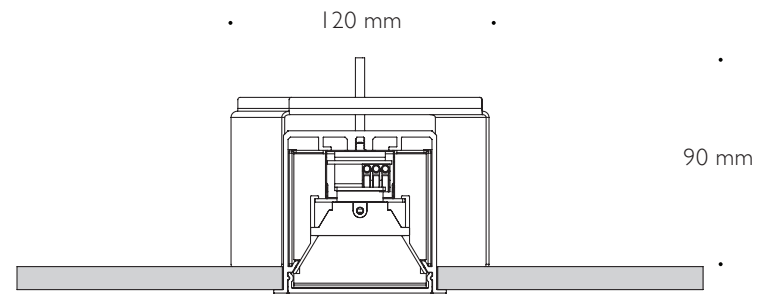
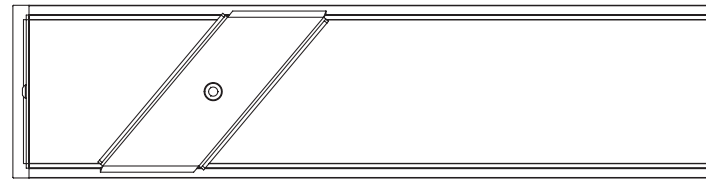
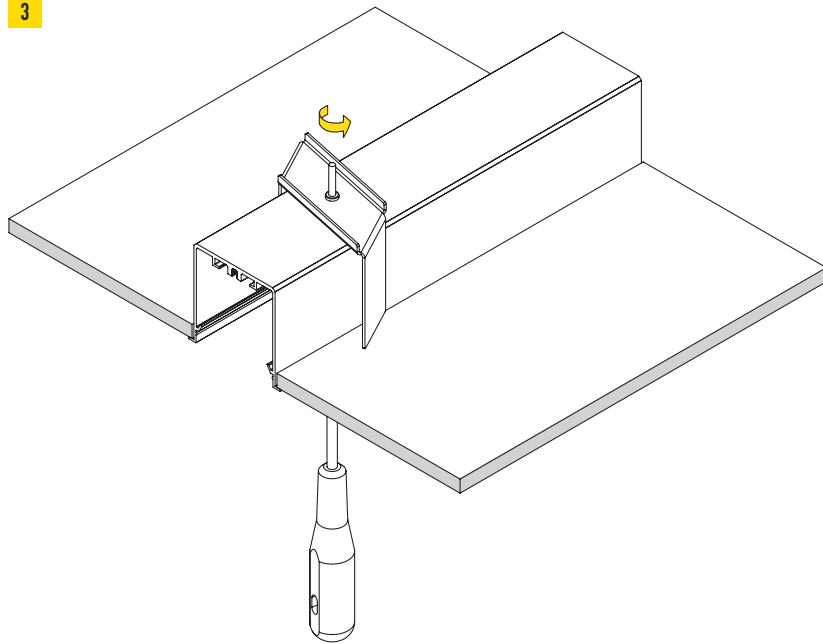
1 Remove diffuser and light module.



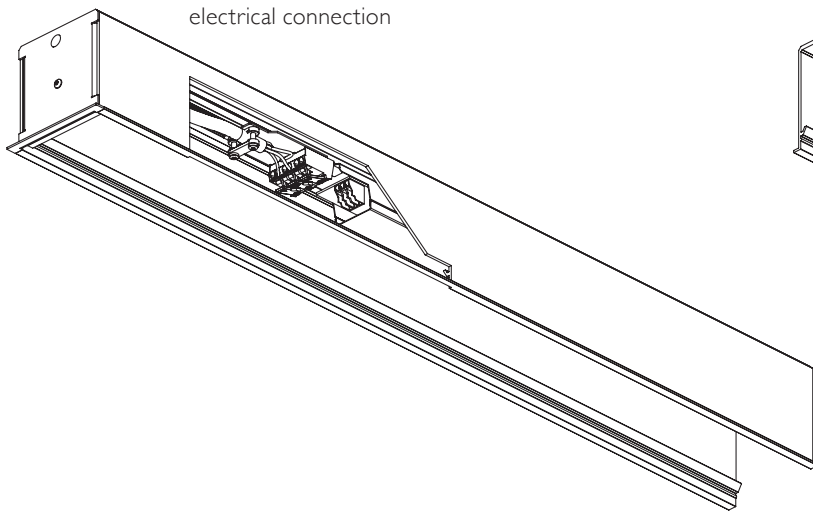
2 Cut a slot.



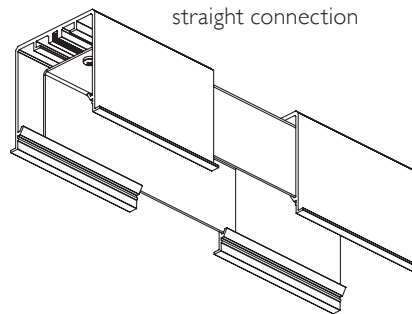
3



electrical connection



straight connection



90° connection

