



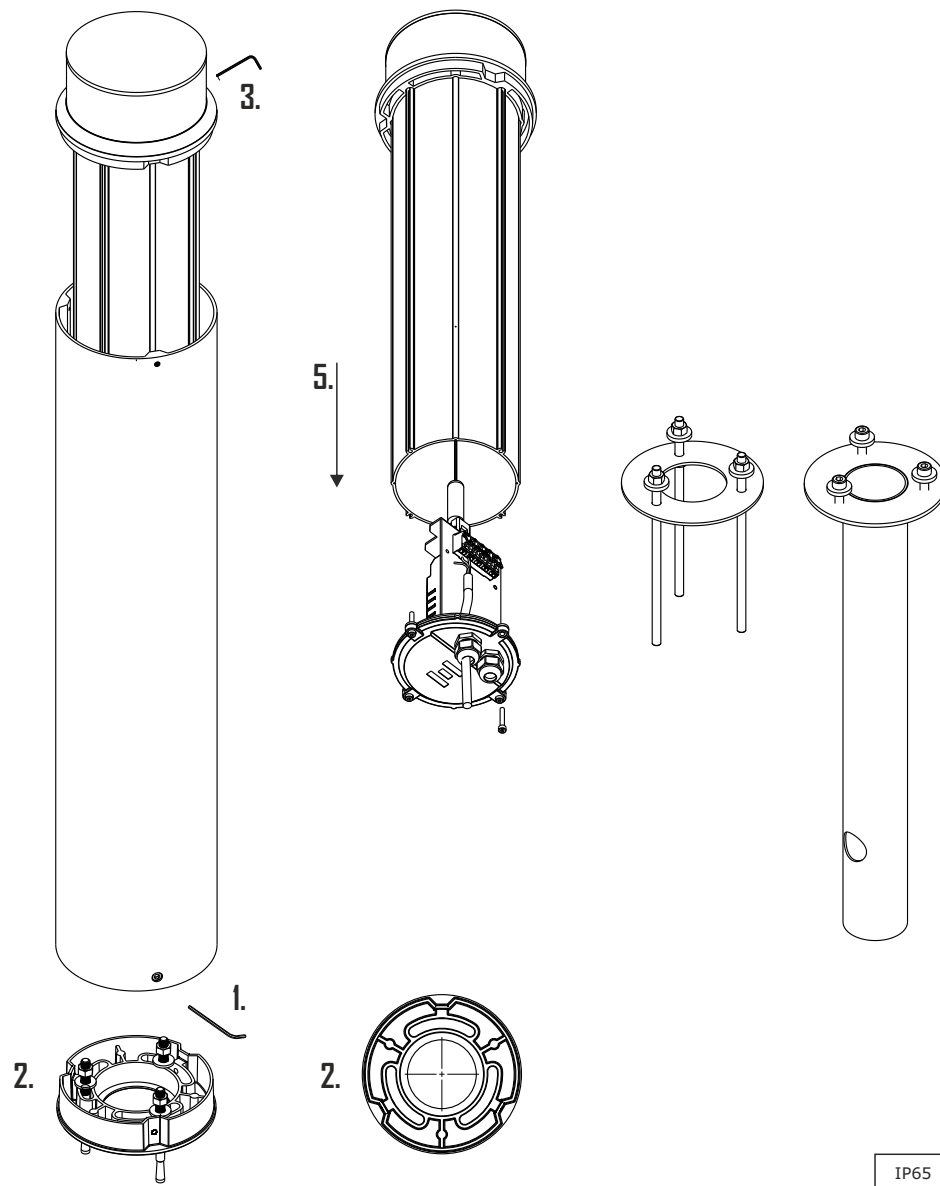
FAR 150

FAR 150
CONCRETE ANCHOR
GROUND ANCHOR

30122
30130
30131

FAR 150

1. LOOSEN SCREWS AND REMOVE BODY FROM BASEPLATE.
2. MAKE HOLES AND FIX BASEPLATE TO THE GROUND USING M6 ANCHORS.
3. LOOSEN SCREWS AND PULL BASE OF THE LAMP HOUSING.
4. MAKE THE WATERPROOF ELECTRICAL CONNECTION.
5. INSTALL BULB.



DEKKO

12-16 DRAGAN TSANKOV BLVD
1164 SOFIA,
BULGARIA

T +359 (0)2 8168116
F +359 (0)2 8168118

office@dekkonet
www.dekkonet

