



POLE

POLE WALL

POLE SPIKE

POLE SPIKE

30011.XX

30018W/WW.XX

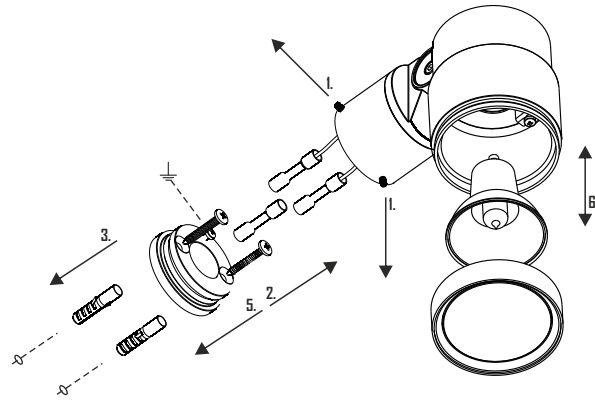
30118W/WW.XX

30019W/WW.XX

30119W/WW.XX

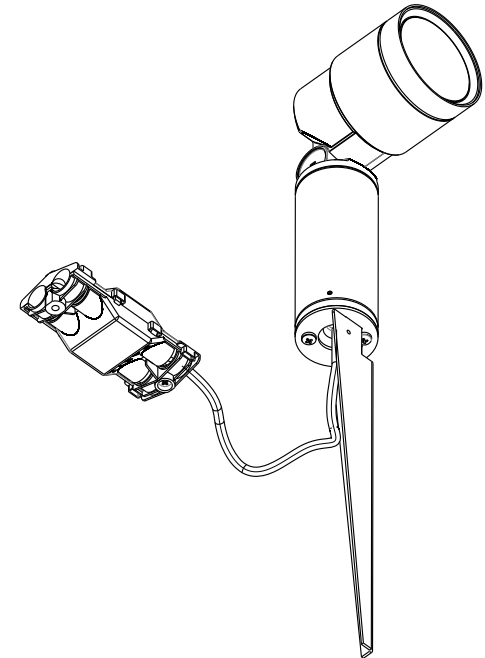
## POLE WALL

1. LOOSEN THE SET SCREWS.
2. REMOVE THE BASE.
3. DRILL 2 HOLES AND FIX THE BASE.
4. MAKE THE WATERPROOF ELECTRICAL CONNECTION.
5. SCREW THE BODY BACK.
6. INSTALL THE BULB.



## POLE SPIKE

1. WATERPROOF JUNCTION BOX /ACCESSORIE: 5633 STEAB/  
USE FLEXIBLE CABLE H05 RN-F 3x0.75mm



DEKKO

12-16 DRAGAN TSANKOV BLVD  
1164 SOFIA,  
BULGARIA

T +359 (0)2 8168116  
F +359 (0)2 8168118

office@dekko.net  
[www.dekko.net](http://www.dekko.net)



POLE

POLE WALL

POLE SPIKE

POLE SPIKE

30011.XX

30018W/WW.XX

30118W/WW.XX

30019W/WW.XX

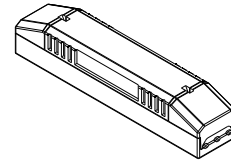
30119W/WW.XX

SUITABLE CONSTANT VOLTAGE / 24V / DRIVERS

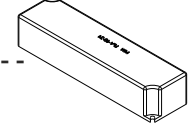
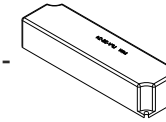
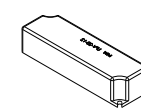
**OSRAM OT** 6/8/20/30/50/75/80/120/240W 220...240/24V



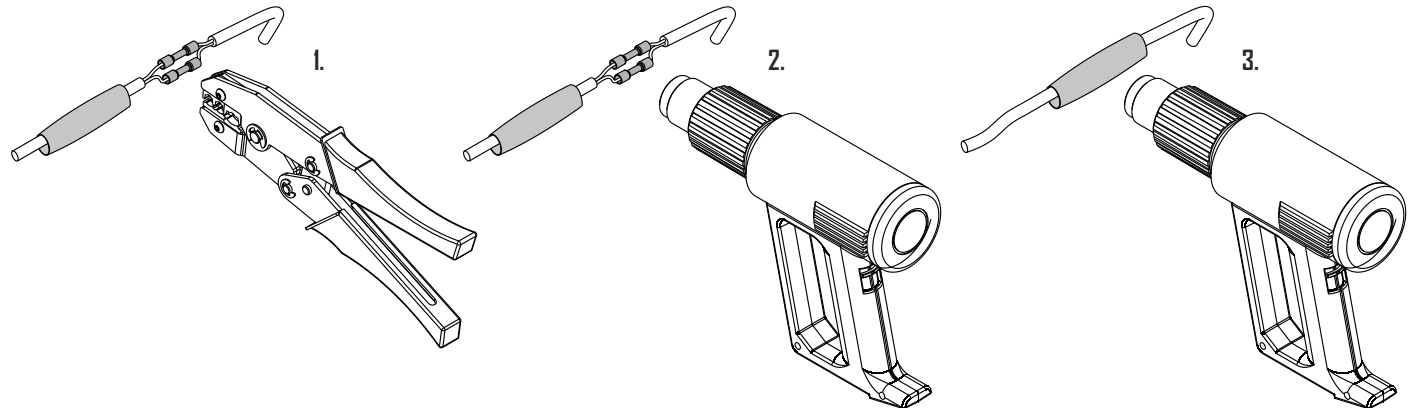
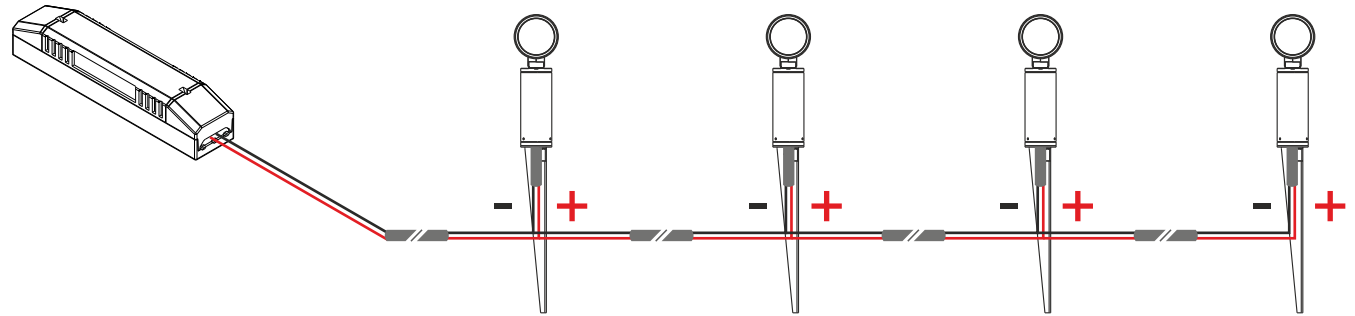
---



**MEAN WELL LPV** 18/20/35/60/100/150W 220...240/24V



ELECTRICAL CONNECTION



WATERPROOF ELECTRICAL CONNECTION

DEKKO

12-16 DRAGAN TSANKOV BLVD  
1164 SOFIA,  
BULGARIA

T +359 (0)2 8168116  
F +359 (0)2 8168118

office@dekkonet  
[www.dekkonet](http://www.dekkonet)