



FILI

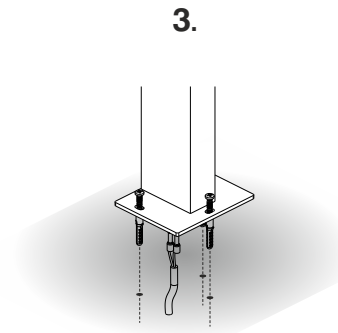
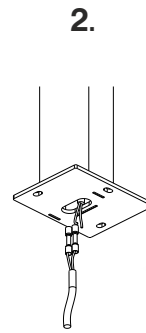
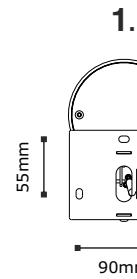
FILI

GROUND ANCHOR

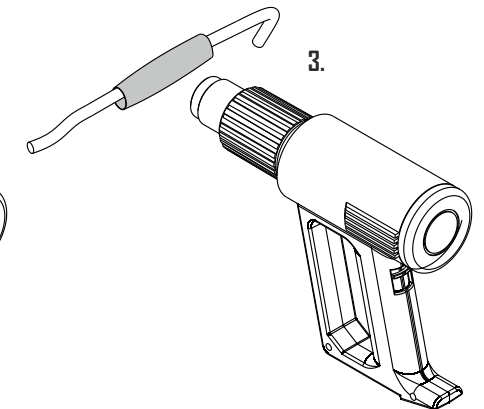
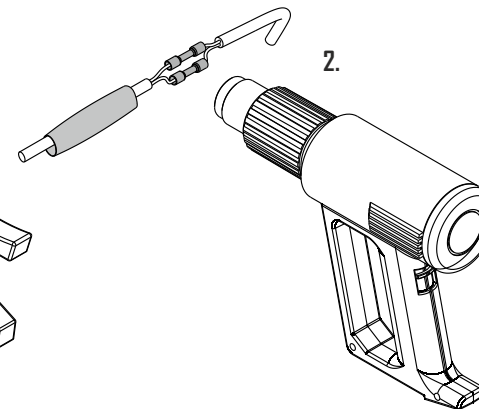
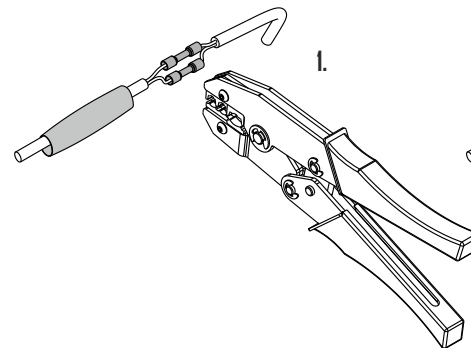
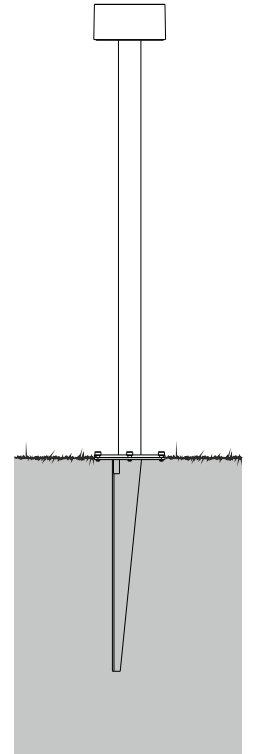
30110W.XX
30110WW.XX
30111

FILI

1. MAKE HOLES.
2. MAKE THE WATERPROOF ELECTRICAL CONNECTION.
3. FIX BASEPLATE TO THE GROUND.



ACCESSORY



WATERPROOF ELECTRICAL CONNECTION

DEKKO

12-16 DRAGAN TSANKOV BLVD
1164 SOFIA,
BULGARIA

T +359 (0)2 8168116
F +359 (0)2 8168118

office@dekkonet
www.dekkonet