

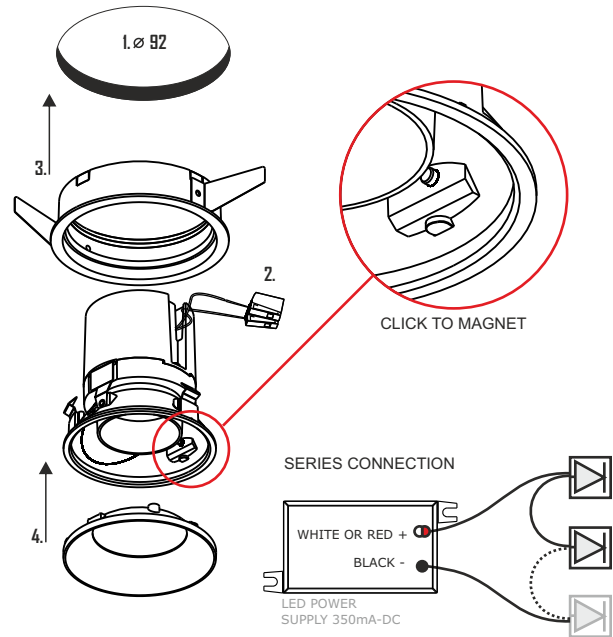


CAST POINT LED 2209HW.XX
2209W.XX
2209WW.XX

CAST POINT LED 2219HW.XX
trimless 2219W.XX
2219WW.XX

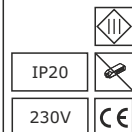
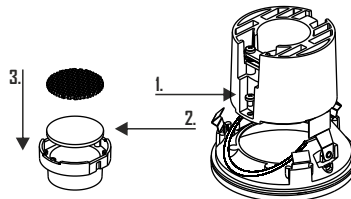
2209.XX

1. CUT OUT THE REQUIRED MOUNTING APERTURE IN THE SUSPENDED CEILING.
2. MAKE THE ELECTRICAL CONNECTION TO A CONSTANT CURRENT DRIVER .
3. FIX THE BODY TO THE CEILING.
4. CLICK TO MAGNET.



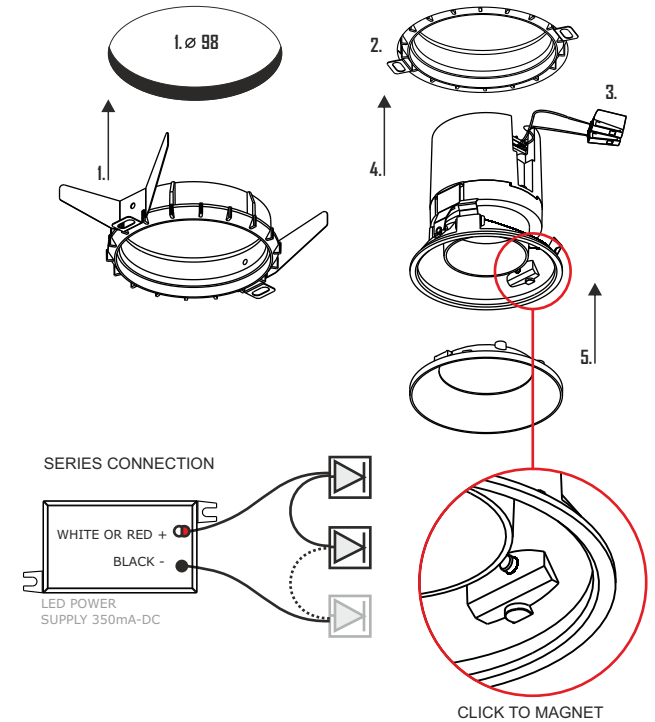
HONEYCOMB ACCESSORY

1. UNSCREW FRONT PART.
2. SLIDE THE FRONT PART.
3. REPLACE GLASS WITH HONEYCOMB.



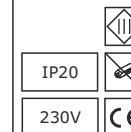
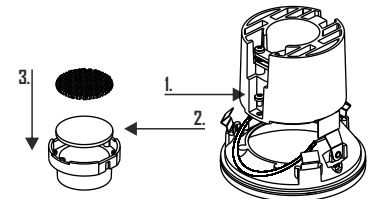
2219.XX

1. CUT OUT THE REQUIRED MOUNTING APERTURE AND FIX THE FRAME TO THE SUSPENDED CEILING.
2. PLASTER THE GAP BETWEEN THE FRAME AND THE GYPSUM BOARD.
3. MAKE THE ELECTRICAL CONNECTION TO A CONSTANT CURRENT DRIVER .
4. FIX THE BODY TO THE FRAME.
5. CLICK TO MAGNET.



HONEYCOMB ACCESSORY

1. UNSCREW FRONT PART.
2. SLIDE THE FRONT PART.
3. REPLACE GLASS WITH HONEYCOMB.



DEKKO

12-16 DRAGAN TSANKOV BLVD
1164 SOFIA,
BULGARIA

T +359 (0)2 8168116
F +359 (0)2 8168118

office@dekkonet
www.dekkonet