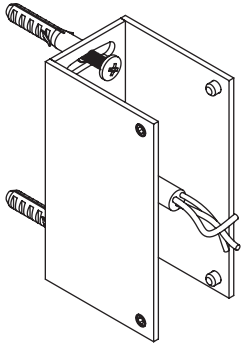
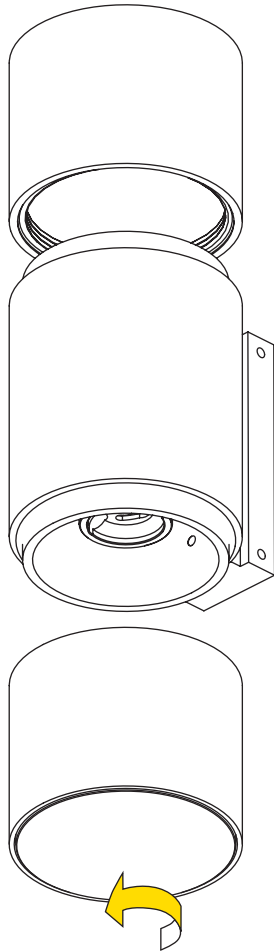


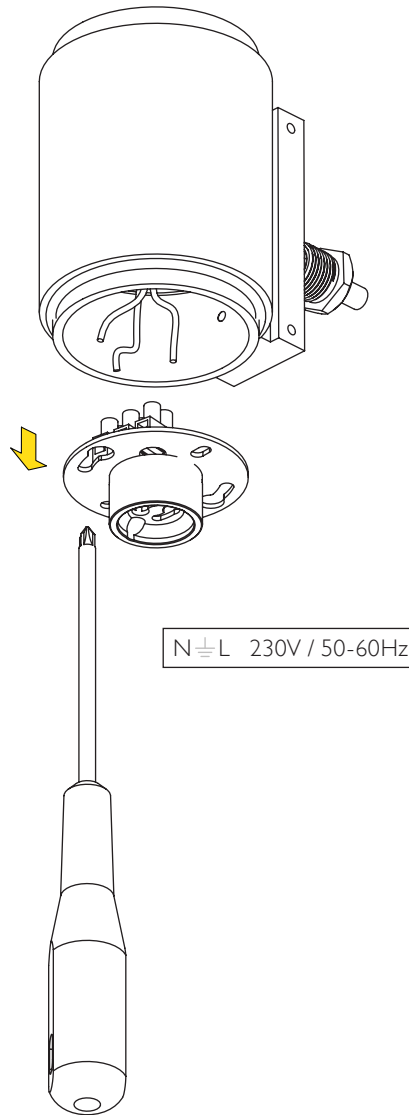
1 Fix baseplate.



2 Unscrew and pull down cylinder.



3 Pull down plate with socket. Make electrical connection.



4 Reassemble and fix to baseplate.

