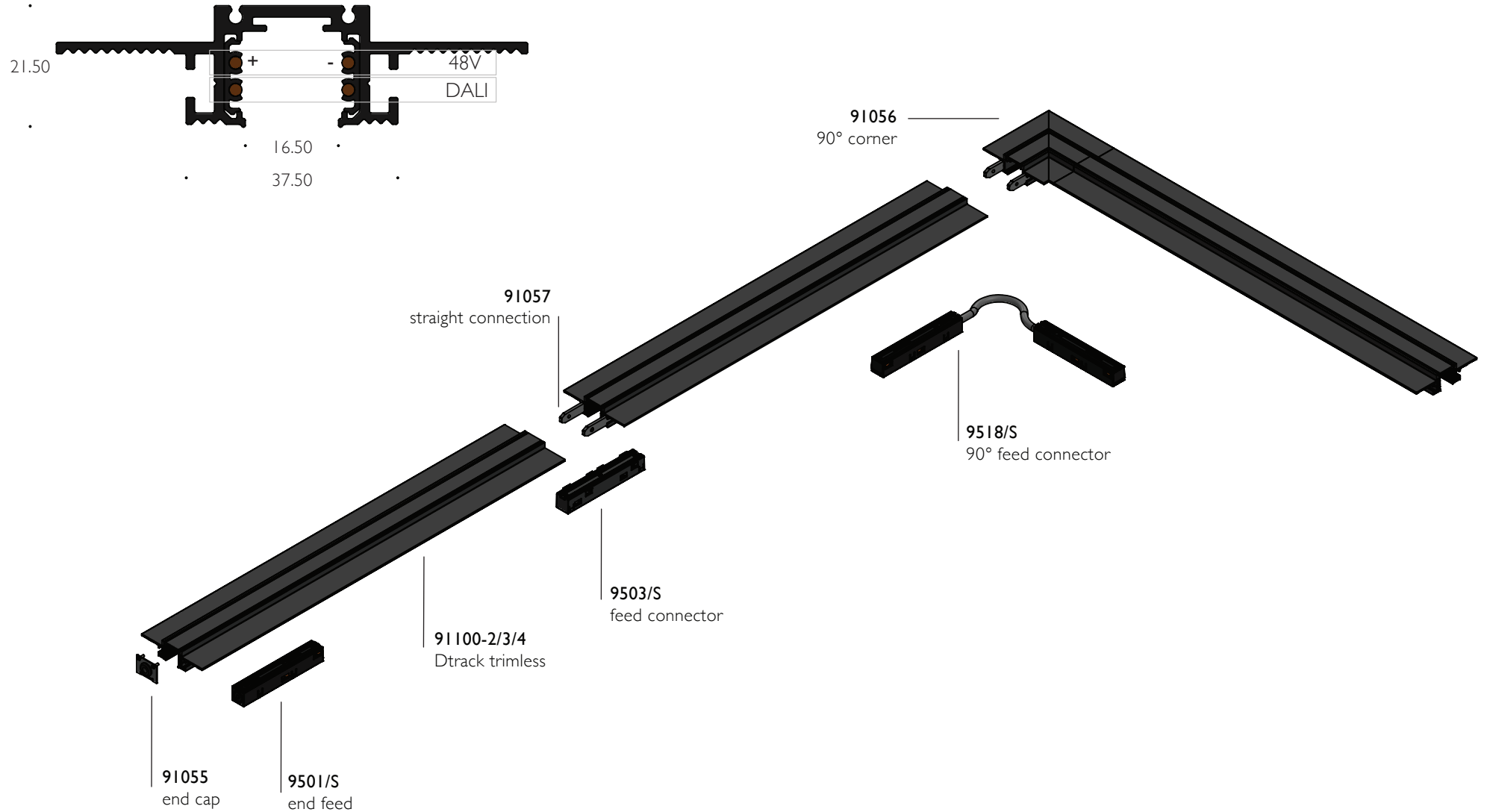
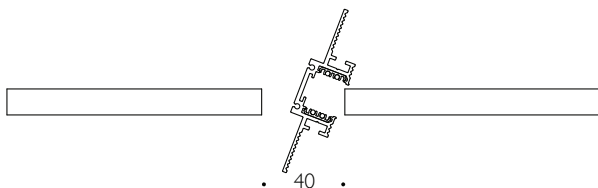


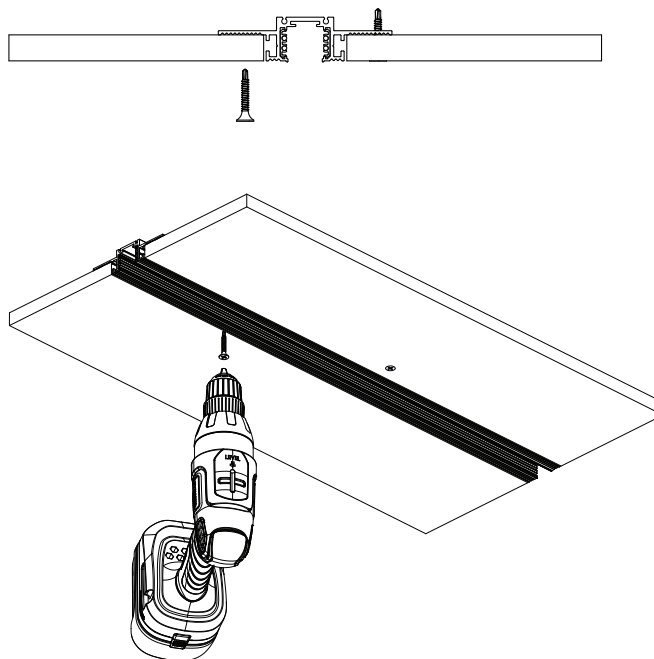
COMPONENTS



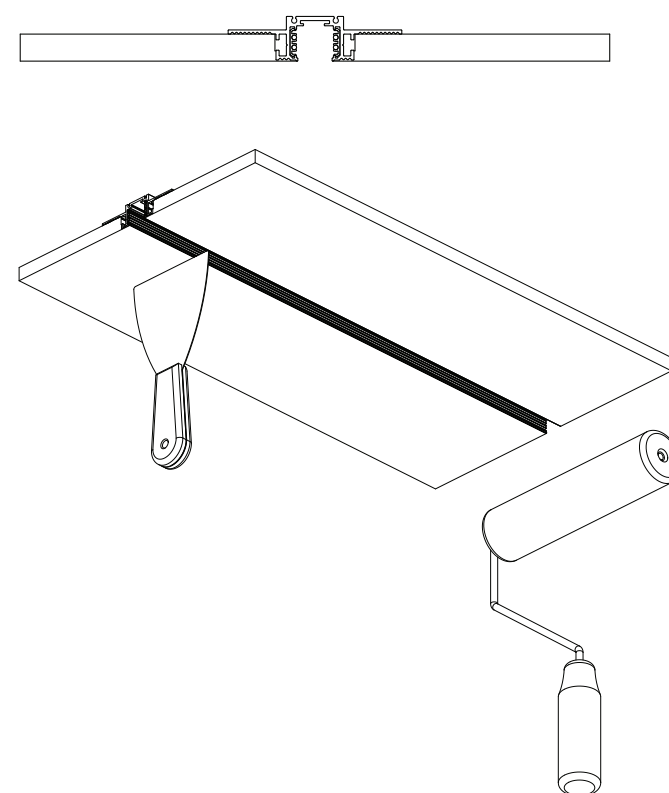
- 1 Cut a slot 40 mm of width and insert profile.



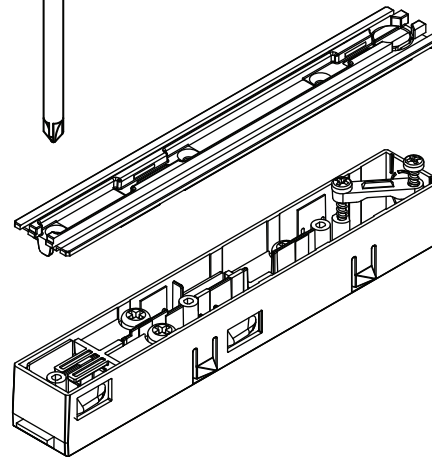
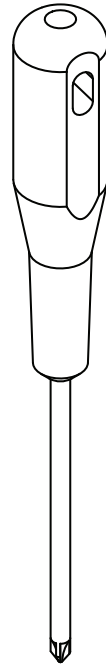
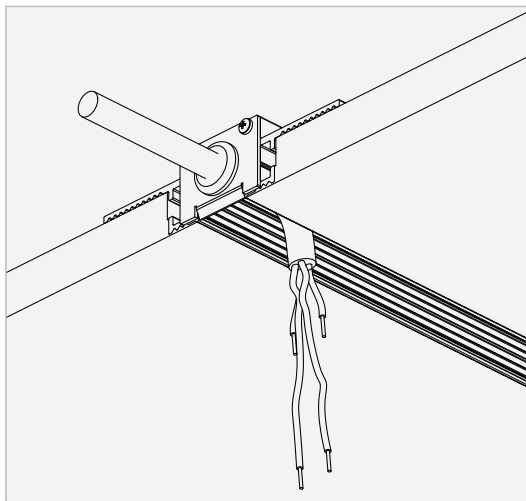
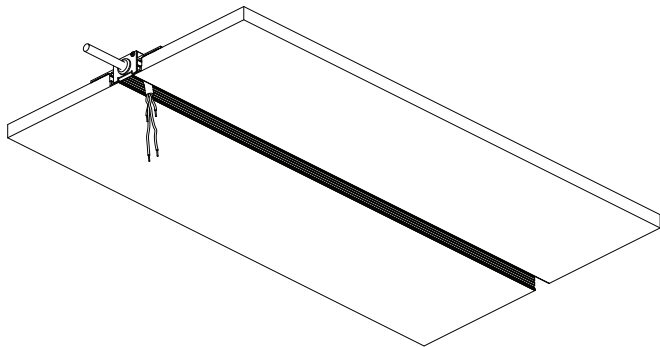
- 2 Fix profile to plasterboard with screws



- 3 Plaster and paint



4 Make electrical connection to feed adapter



48V / DC - polarity insensitive

