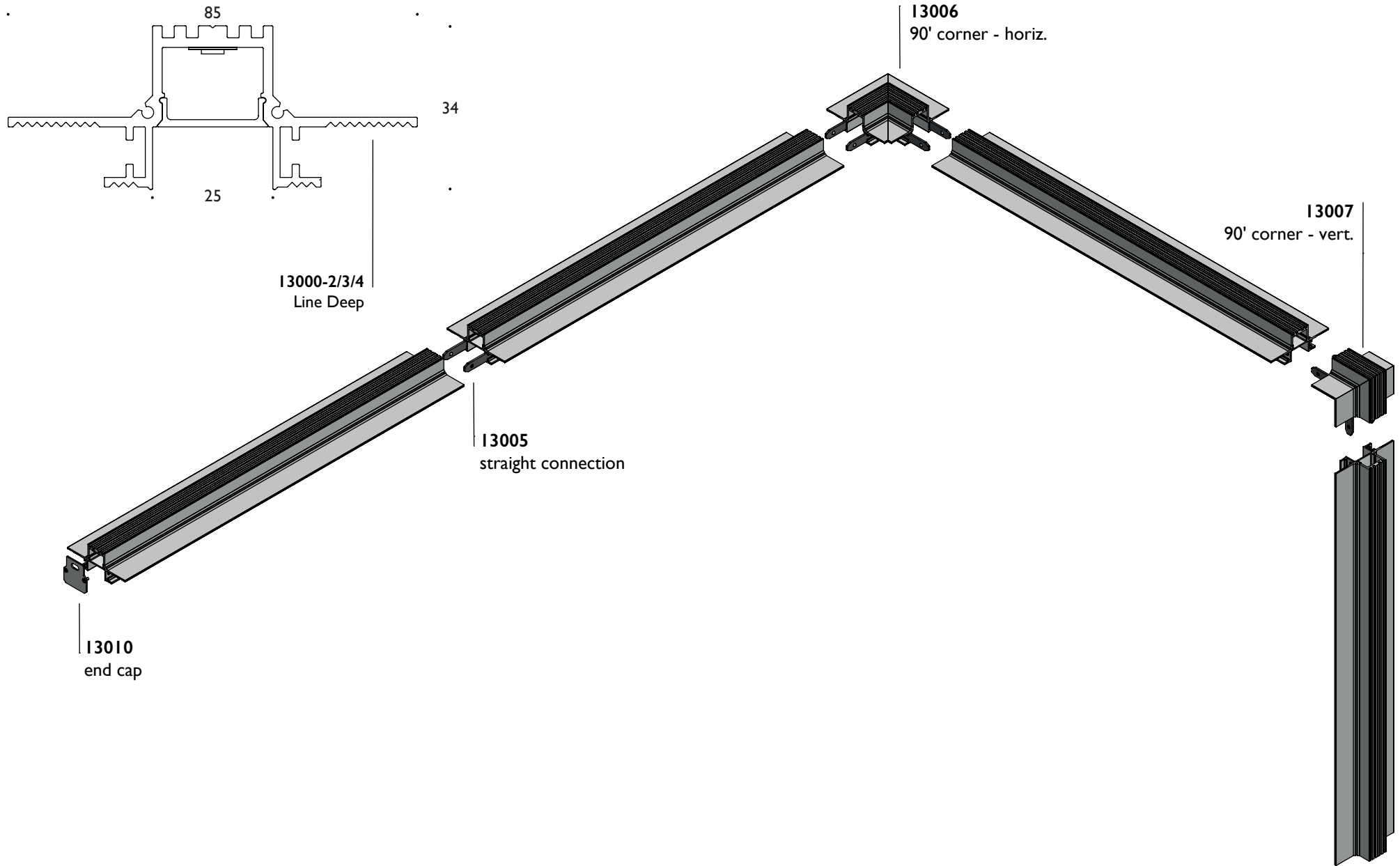
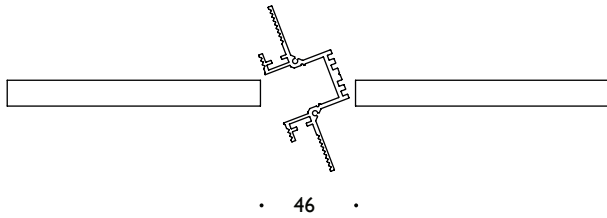


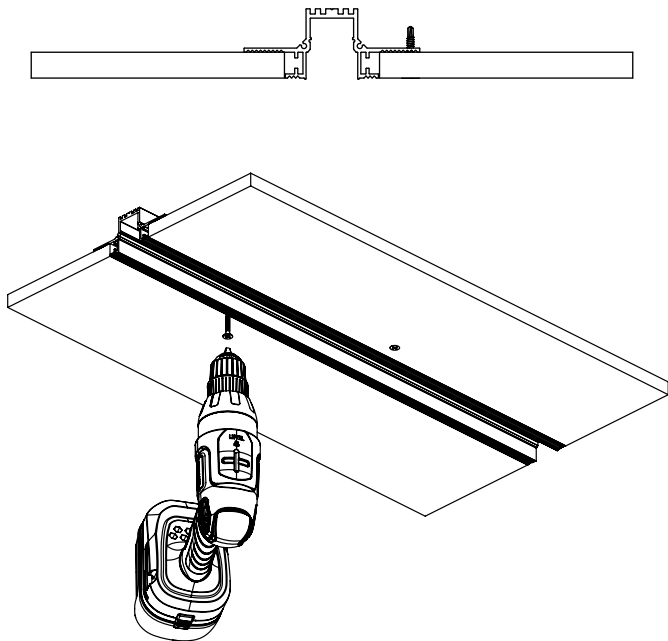
COMPONENTS



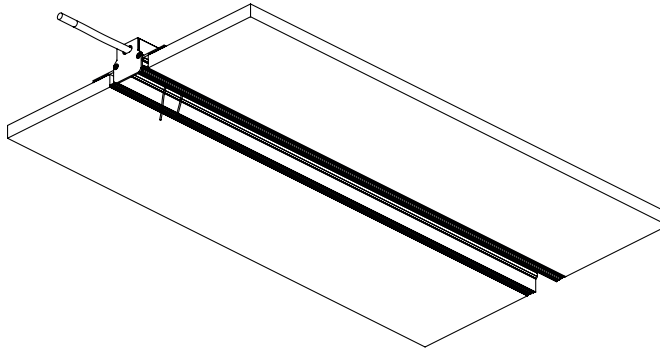
1 Cut a slot 46 mm of width and insert profile.



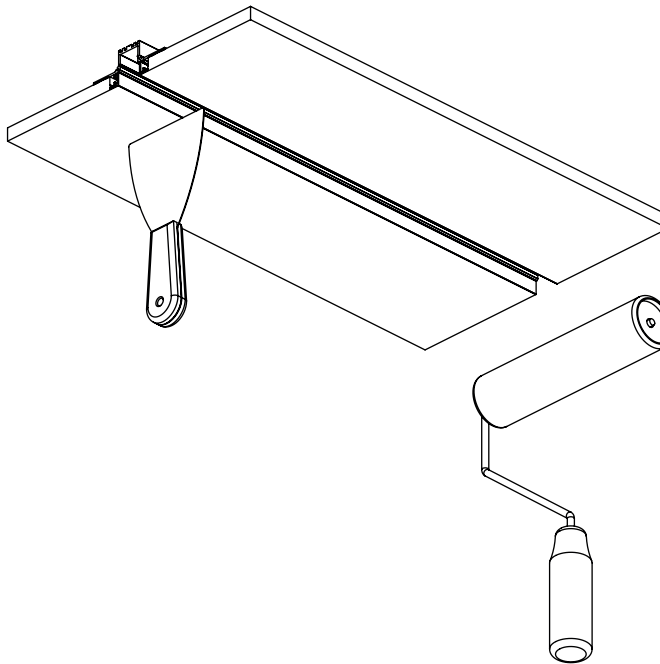
2 Fix profile to plasterboard with screws



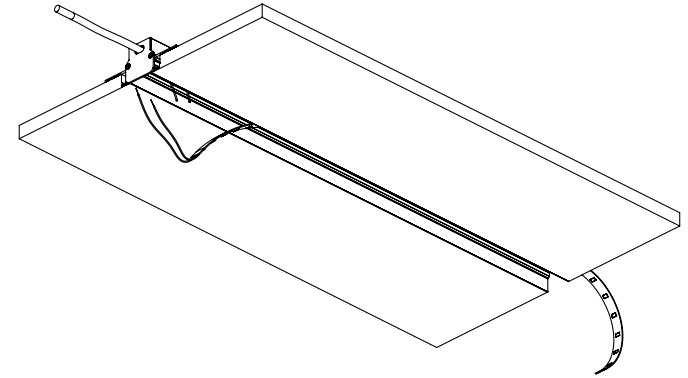
3 Insert feed cable



4 Plaster and paint



5 Mount LED tape and make electrical connection



6 Cover with diffuser

