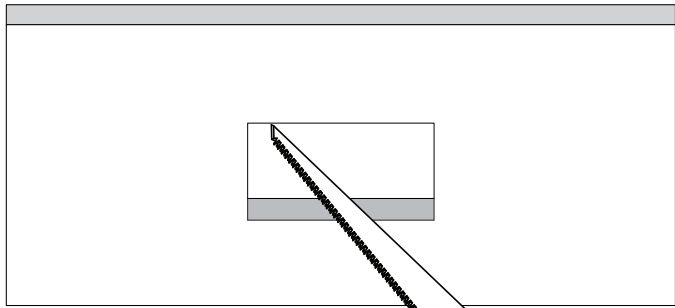
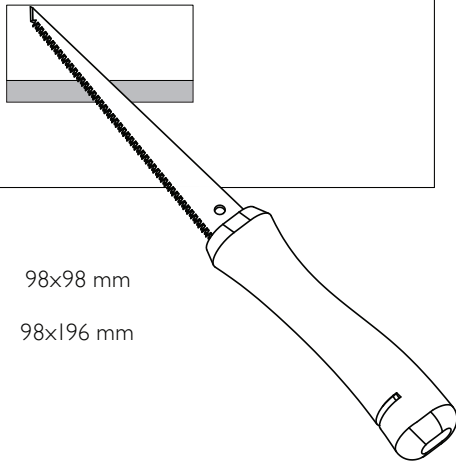


1 Cut hole in ceiling.

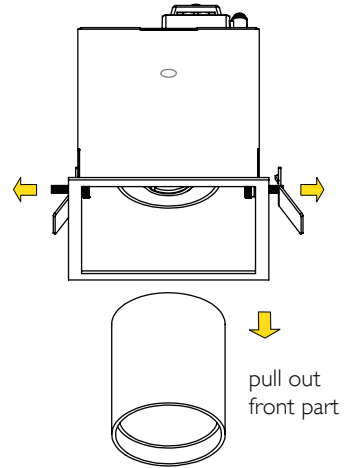


Shaiba 1x1 98x98 mm

Shaiba 2x1 98x196 mm



2 Loosen clip screws.



3 Connect to 230V/50-60Hz.

