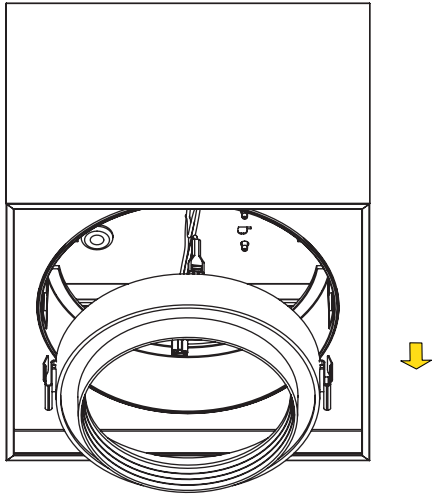
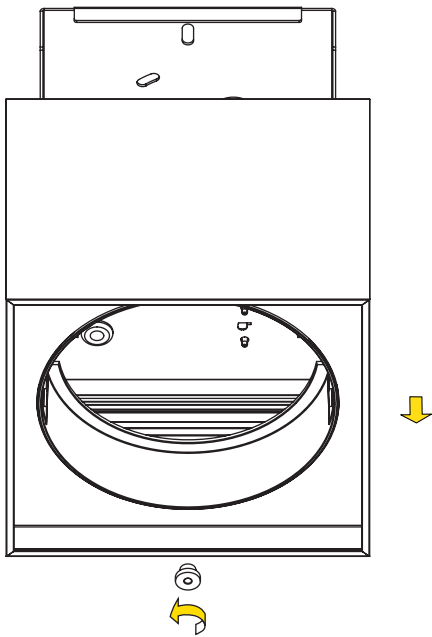


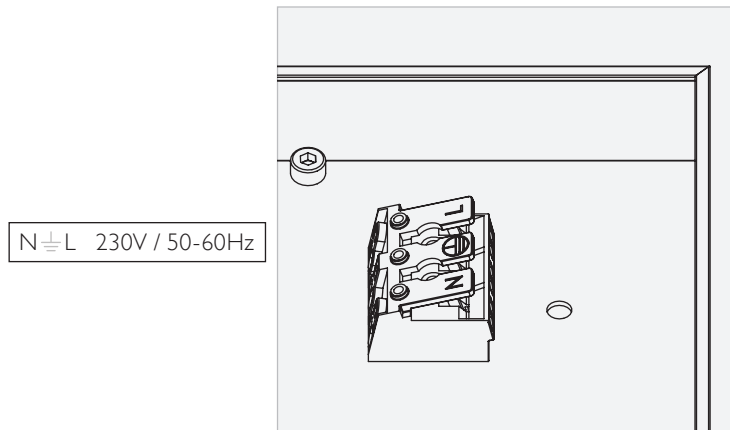
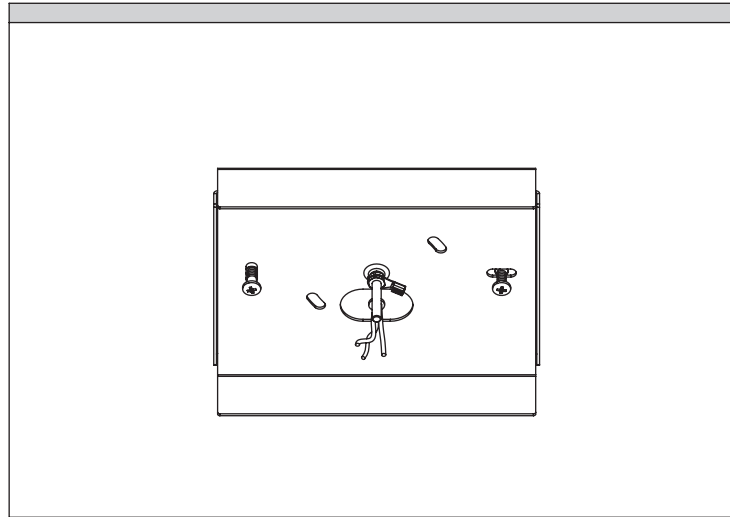
1 Pull front ring.



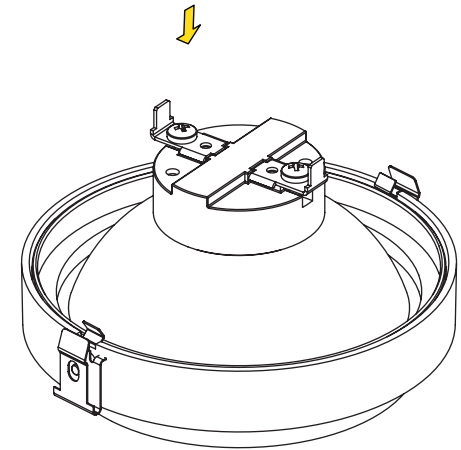
2 Remove base.



3 Fix to ceiling and make electrical connection.



4 Install bulb into front ring.



5 Reassemble. Push back front ring aiming clips.

