



ZOOM OUT

ZOOM OUT POINT LED

90010W/WW

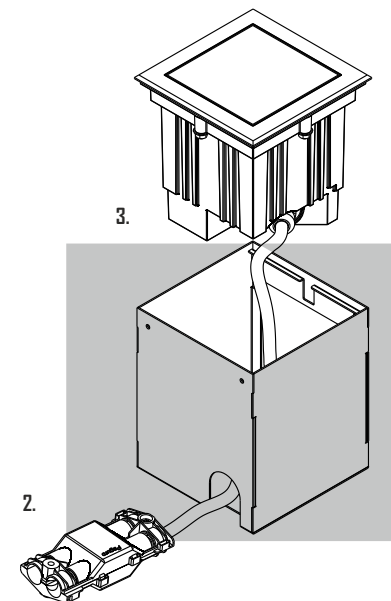
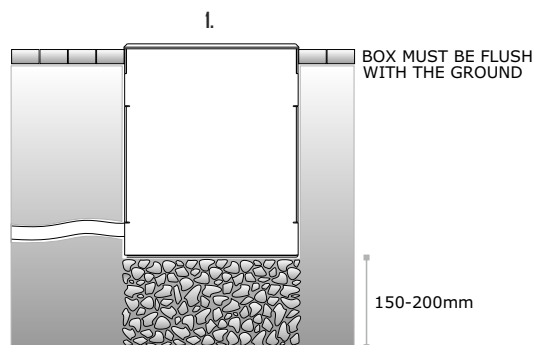
90110W/WW

ZOOM OUT BOX

90091

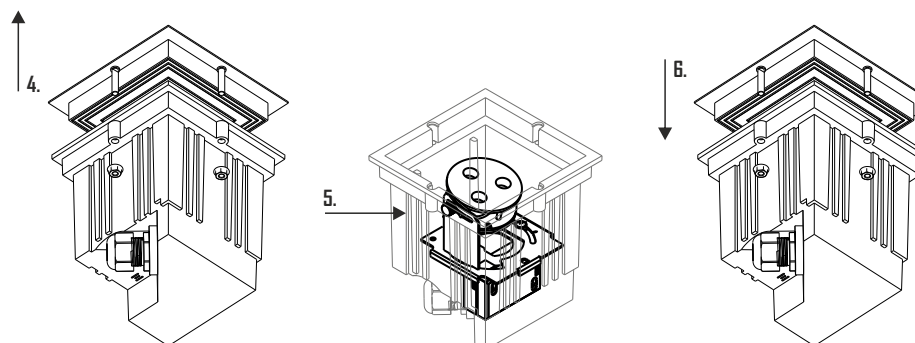
## ZOOM OUT

1. PLACE THE SUPPLIED HOUSING INTO THE PREPARED HOLE. TOP EDGE MUST BE FLUSH WITH GROUND LEVEL. PROVIDE GRAVEL FOR PROPER DRAINAGE BELOW HOUSING.
2. WATERPROOF JUNCTION BOX / 5633 STEAB / USE FLEXIBLE CABLE H05 RN-F 3x0.75mm
3. PLACE THE BODY INTO THE HOUSING.



## ZOOM OUT POINT LED ANGLE POSITIONING

4. UNSCREW AND PULL THE FRAME.
5. MOVE THE LED MATRIX IN THE DESIRED DIRECTION.
6. MOUNT THE FRAME BACK, TIGHTENING FLANGE NUTS FIRMLY AND EVENLY ALTERNATING BETWEEN THE OPPOSITE NUTS.



DEKKO

12-16 DRAGAN TSANKOV BLVD  
1164 SOFIA,  
BULGARIA

T +359 (0)2 8168116  
F +359 (0)2 8168118

office@dekko.net  
[www.dekko.net](http://www.dekko.net)



ZOOM OUT

ZOOM OUT POINT LED

90010W/WW

90110W/WW

ZOOM OUT BOX

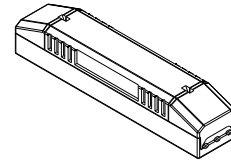
90091

SUITABLE CONSTANT VOLTAGE / 24V / DRIVERS

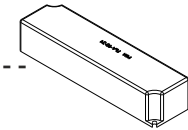
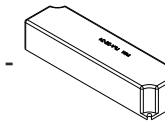
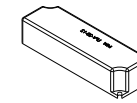
**OSRAM OT** 6/8/20/30/50/75/80/120/240W 220...240/24V



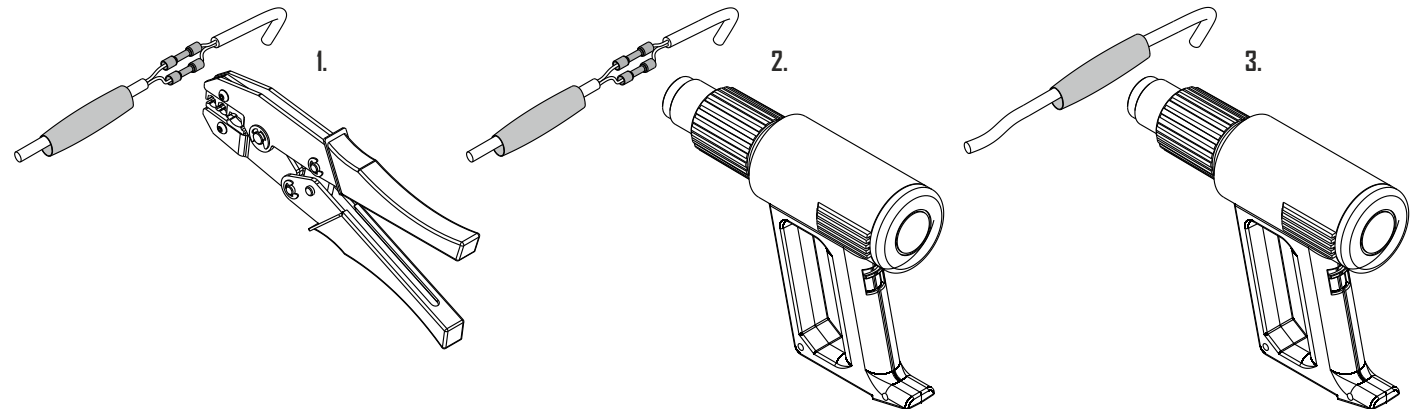
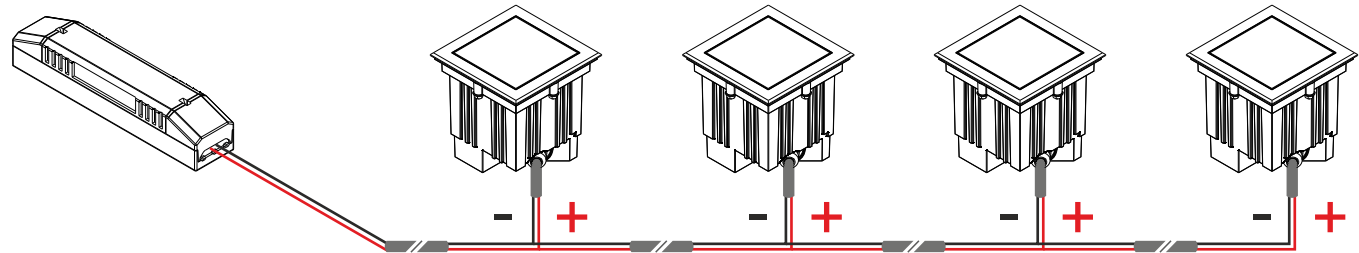
---



**MEAN WELL LPV** 18/20/35/60/100/150W 220...240/24V



ELECTRICAL CONNECTION



WATERPROOF ELECTRICAL CONNECTION

DEKKO

12-16 DRAGAN TSANKOV BLVD  
1164 SOFIA,  
BULGARIA

T +359 (0)2 8168116  
F +359 (0)2 8168118

office@dekkonet  
[www.dekkonet](http://www.dekkonet)